

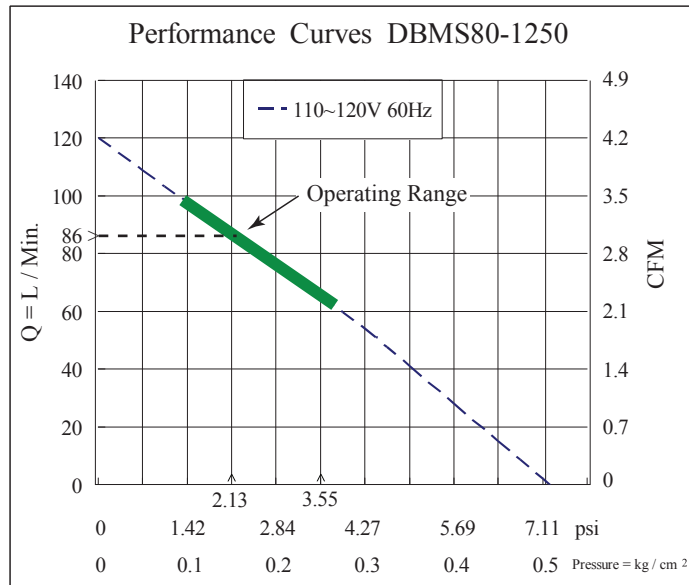
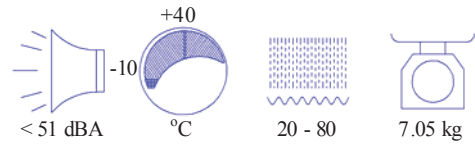
# SEPTIC SEWAGE PUMPS

A Division of Southwestern Controls

## Model No. DBMS80-1250

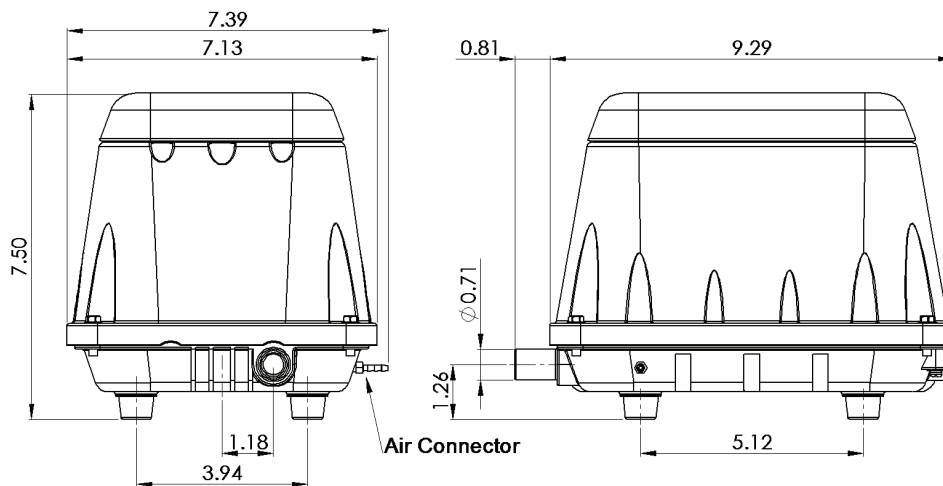
Performance / Rendimiento / Prestanda

★ Allowance : ±5%



Output Pressure

Dimensions / Dimensioner (in)



Operating range : 1.4 to 3.6 psi

Model No.	Voltage (VAC)	Frequency (HZ)	Rated Pressure (psi)	Airflow (LPM)	AMP (A)	WATT (W)
DBMS80-1250	110 ~ 120	60	2.13	86 = 3.01 CFM	1.9	84

**SEPTIC SEWAGE PUMPS**  
A Division of Southwestern Controls

Tel: 1-800-292-9087

Web: [www.septicsewagepumps.com](http://www.septicsewagepumps.com)