

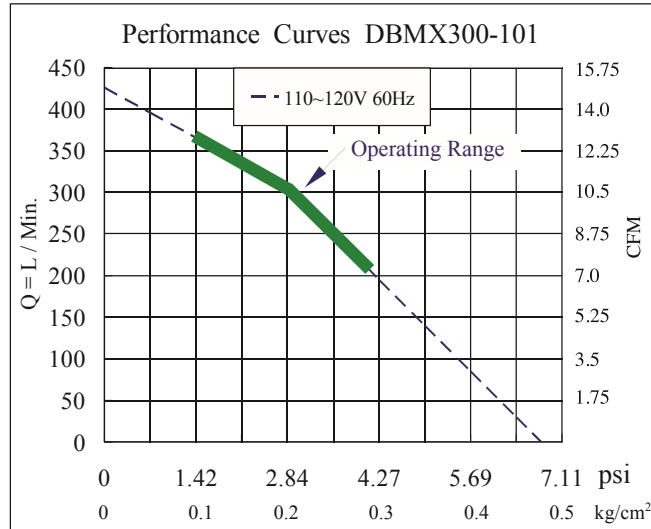
SEPTIC SEWAGE PUMPS

A Division of Southwestern Controls

Model No. DBMX300-101

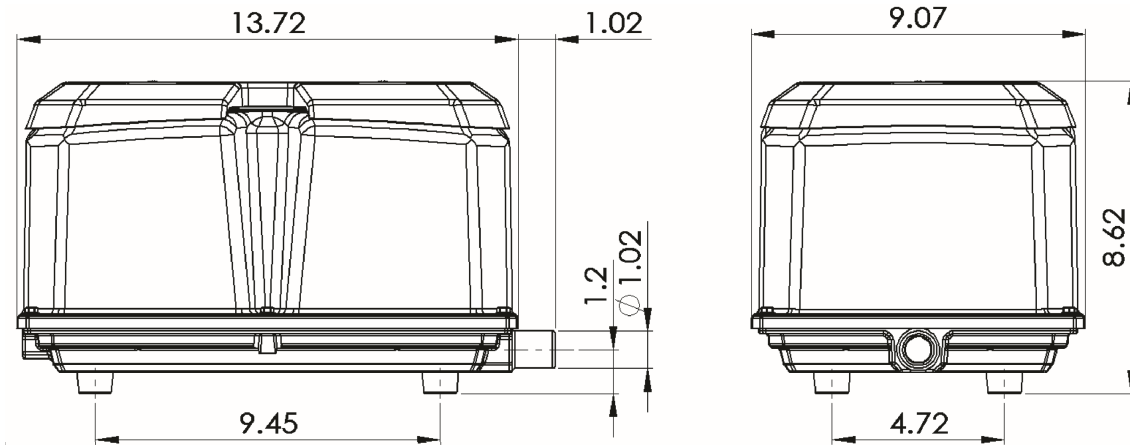
Performance / Rendimiento / Prestanda

★ Allowance : $\pm 5\%$



Output Pressure

Dimensions / Dimensioner (in)



Operating Range : 1.4 to 3.9 psi

Model No.	Voltage (VAC)	Frequency (HZ)	Rated Pressure (psi)	Airflow (LPM)	AMP (A)	WATT (W)
DBMX300-101	110 ~ 120	60	2.84	300	5.1	281

SEPTIC SEWAGE PUMPS

A Division of Southwestern Controls

Tel: 1-800-292-9087

Web: www.septicsewagepumps.com