



Models R4110-2, R4310A-2, R4310B-1

Max. pressure – 52 inH₂O (60 Hz), 38 inH₂O (50 Hz)

Max. vacuum – 48 inH₂O (60 Hz), 35 inH₂O (50 Hz)

Max. air flow – 92 CFM (60 Hz), 75 CFM (50 Hz)

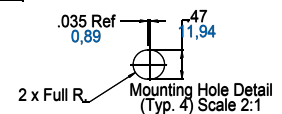
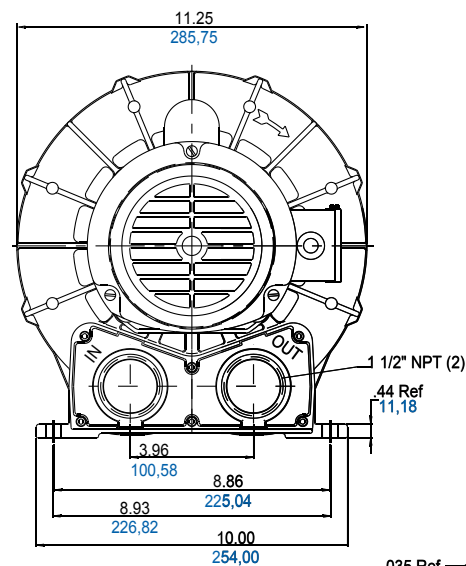
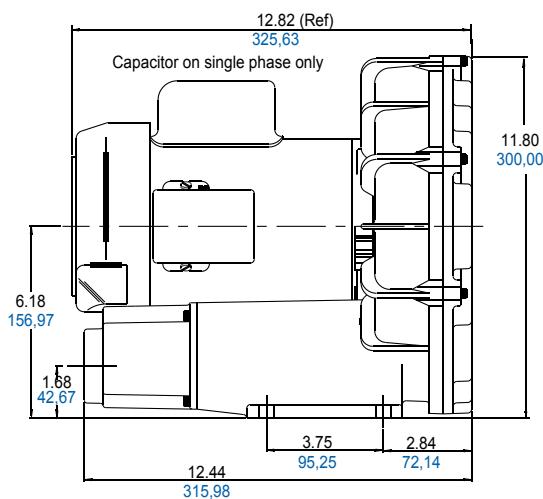
PRODUCT FEATURES

- Rugged construction, low maintenance
- Oilless operation
- UL and CSA approved TEFC motors with permanently sealed ball bearings
- Automatic restart thermal protection on single phase motors
- Aluminum blower housing, impeller, and cover
- Can be operated with no air flow through unit
- Can be mounted in any plane
- Inlet and outlet have internal muffling

RECOMMENDED ACCESSORIES

- Pressure gauge AJ496
- Inlet filter AJ126D (pressure)
- Vacuum gauge AJ497
- Inline filter AJ151D (vacuum)
- Muffler AJ121D
- Relief valve AG258
- Liquid separator RMS160 (vacuum)
- Foam replacement kit K902

Product Dimensions (inches, mm)



Product Specifications

| MODEL NUMBER | | R4110-2 | R4310A-2 | R4310B-1 |
|-------------------------------|-------|---------------|-------------------|----------|
| Motor Enclosure | | TEFC | TEFC | TEFC |
| HP/kW | 60 Hz | 1.0/0,75 | 1.0/0,75 | 1.0/0,75 |
| | 50 Hz | .6/0,45 | .6/0,45 | - |
| Voltage | 60 Hz | 115/208-230-1 | 208-230/460-3 | 575-3 |
| | 50 Hz | 110/220-240-1 | 190-220/380-415-3 | - |
| Amps | 60 Hz | 9.8/5.2-4.9 | 3.4-3.2/1.6 | 1.25 |
| | 50 Hz | 9.0/4.5-5.7 | 2.6-3.3/1.3-1.4 | - |
| Starting Amps | 60 Hz | 31.2 @ 230V | 26.5 @ 230V | 7.6 |
| | 50 Hz | 34 @ 220V | 28.4 @ 220V | - |
| Insulation Class | | B | B | B |
| Recommended NEMA Starter Size | | 0/00 | 00/00 | 00 |
| Net Weight (lbs/kg) | | 41/18,6 | 41/18,6 | 41/18,6 |

Product Performance

