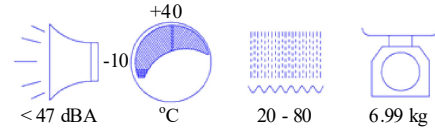
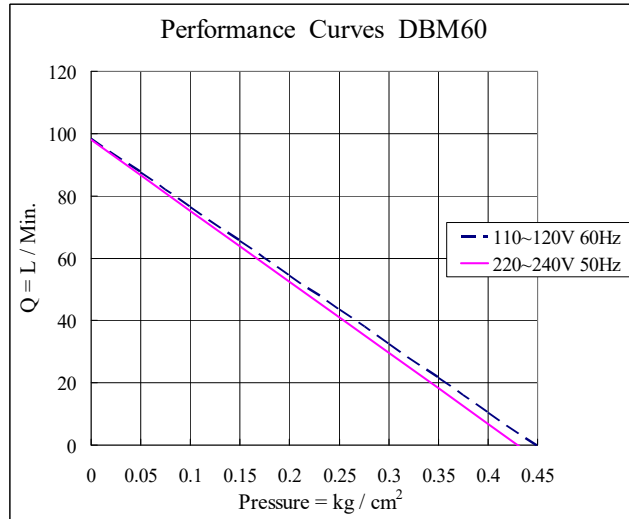


Model No. DBM60

Performance / Rendimiento / Prestanda

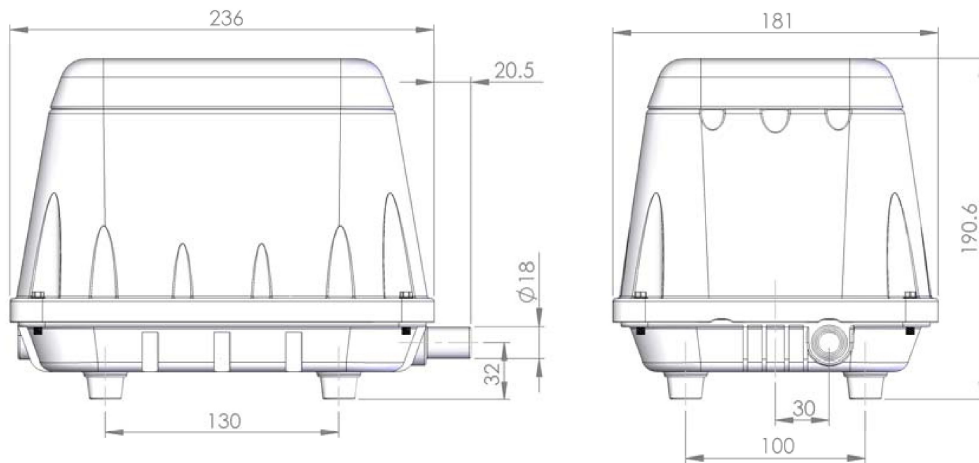


★ Allowance : ±5%



Exhaust

Dimensions / Dimensioner (mm)



Operating range : 0.1 to 0.25 kg/cm²

Model No.	Voltage (VAC)	Frequency (HZ)	Rated Pressure (kg/cm ²)	Airflow (LPM)	AMP (A)	WATT (W)
DBM60	110 ~ 120	60	0.15	68	1.7	63
DBM60	220 ~ 240	50	0.15	66	0.6	61

Diann Bao Inc.

www.airmac.com.tw

✉ E-mail: airmac@airmac.com.tw

✉ E-mail: diannbao@ms26.hinet.net

☎ Tel: +886-4-7621838

✉ Fax: +886-4-7617617