

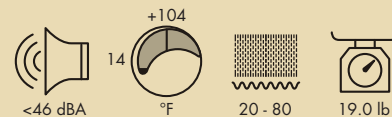
**DBMXL120-1250**

**LINEAR OILLESS  
COMPRESSOR**

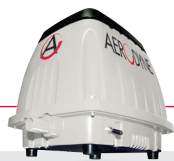


**AERODYNE**

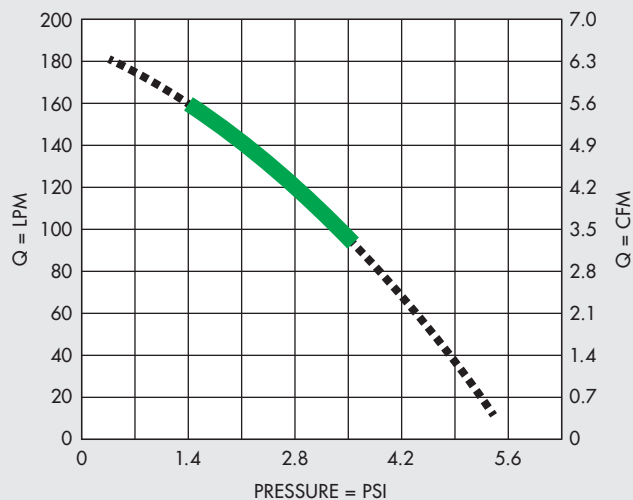
# DBMXL120-1250 LINEAR OILLESS COMPRESSOR



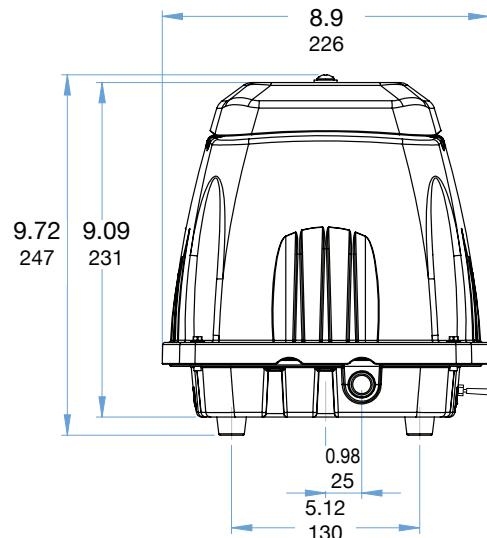
## PERFORMANCE ( $\pm 5\%$ allowance)



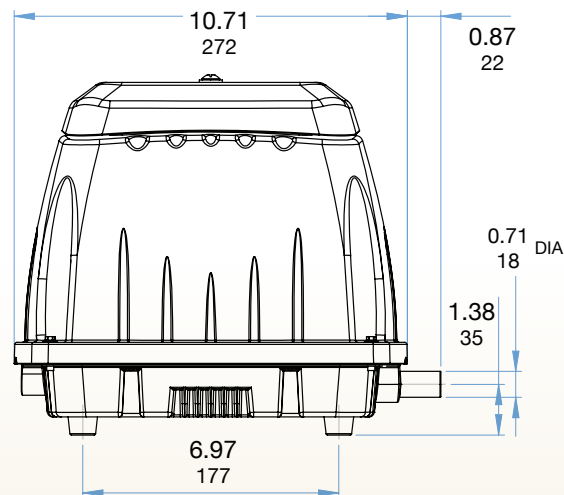
**DBMXL120-1250 PERFORMANCE CURVES**



## DIMENSIONS (in/mm)



**FRONT**



**SIDE**

## ADDITIONAL SPECS

Model No.	Voltage (VAC)	Frequency (HZ)	Rated Pressure (PSI)	Airflow (LPM)	AMP (A)	Watt (W)
DBMXL120-1250	110 ~ 120	60	2.84	120	1.3	95